

Working Instructions Translation

WIDOS Circular Power Hand Saw with Guide Chain Type 1



Keep for further use !

Type / Model:

WIDOS Circular power hand saw with
guide chain

Serial number, year of construction:

see type plate

Customer Entries

Inventory-no.:

Place of working:

Order of Spare Parts and After Sales Service:

Address of Manufacturer

WIDOS

Wilhelm Dommer Söhne GmbH
Einsteinstr. 5

D -71254 Ditzingen

Phone: +49 7152 99 39 0

Fax: +49 7152 99 39 40

Purpose of the Document

These working instructions give you information about all important questions which refer to the construction and the safe working of your machine.

Just as we are, you are obliged to engage in these working instructions, as well.

Not only to run your machine economically but also to avoid damages and injuries.

Should questions arise, contact our service team in the factory or in our subsidiary companies.

We will help you with pleasure.

According to our interest to continuously improve our products and working instructions, we kindly ask you to inform us about problems and defects which occur in exercise.

Thank you.

Structure of the Working Instructions

This manual is arranged in chapters, which belong to the different using phases of the machine. Therefore the searched information can be easily found.



©5/6/2019 WIDOS

Wilhelm Dommer Söhne GmbH
Einsteinstraße 5
D-71254 Ditzingen

All rights reserved.

Reprinting only allowed with permission of the corporation.

Any changes are subject to technical innovations.

1. DESCRIPTION OF THE PRODUCT	5
1.1. Application and Prescribed Use	5
1.2. Conformity.....	5
1.3. Designation of the Product	5
1.4. Technical Data	5
2. SAFETY RULES	6
2.1. Explanation of the different symbols	6
2.2. Obligations of the Owner	7
2.3. Obligations of the Worker	7
2.4. Measures of Organization.....	7
2.5. Information about Safety Precautions.....	7
2.6. Instructions for the Staff.....	7
2.7. Dangers while Handling the Machine	8
2.8. Warranty and Liability	9
2.9. Extension Cable and Stand-by Unit	9
3. OPERATING ELEMENTS	10
4. STARTING AND OPERATING	11
4.1. Operating	11
4.1.1 Setting the cutting depth	12
4.1.2 Sawing	12
5. STORING / MAINTENANCE / CHANGING THE SAW BLADE	13
5.1. Storage	13
5.2. Maintenance	13
5.3. Changing the Saw Blade.....	13
5.4. Disposal	14
6. SPARE PARTS LIST	15
7. DECLARATION OF CONFORMITY	16

1. Description of the Product

This chapter gives important basic information about the product and its prescribed use. All technical details of the machine are put together as a general arrangement.

1.1. Application and Prescribed Use

The circular power hand saw with guide chain is only designed to cut plastic pipes with outside \varnothing = (mm) 500 / 560 / 630 / 710 / 800 / 900 / 1000 / 1100 / 1200 / 1400 / 1600 (depending on the length of the chain).

All use going beyond is not prescribed.

The manufacturer is not responsible for damages caused by misuse.

The risk is held only by the user.

Prescribed use also means:

- respecting all indications of this manual
- performing the inspection and repair works.

1.2. Conformity

The machine corresponds in its construction to the valid recommendations of the European Community as well as to the according European standard specifications.

The development, manufacturing and mounting of the machine were made very carefully.

1.3. Designation of the Product

The product is designated by a type label at the base.

It contains the type of the machine, the serial number and the year of construction.

1.4. Technical Data

Voltage	230 V
Frequency	50 Hz
Power	2200 W
Circular saw blade outside- \varnothing	240 mm
Sound pressure level	104 dB (A)
Weight without chain	15.5 kg

2. Safety Rules

The base for the safe handling and the fault-free operation of this machine is the knowledge of the basic safety indications and rules.

- These working instructions contain the most important indications to run the machine safely.
- The safety indications are to be followed by all persons working on the machine.

2.1. Explanation of the different symbols

In the working instructions, following denominations and signs are used for dangers:



- This symbol means a possible danger for the life and the health of persons.
- The non-respect of these indications may have heavy consequences for the health.



- This symbol means a possible dangerous situation.
- The non-respect of these indications may cause light injuries or damages on goods.



- This symbol gives important indications for the proper use of the machine.
- The non-respect of these indications may conduct to malfunctions and damages on the machine or on goods in the surrounding.



- Under this symbol you get user tips and particularly useful information.
- It is a help for using all the functions on your machine in an optimal way and helps you to make the job easier.

The regulations for prevention of accidents are valid (UVV).



- Read carefully these working instructions. In case of damages caused by not following these instructions your guarantee expires.
For thus resulting consequential damages we accept no liability.

2.2. Obligations of the Owner

The owner is obliged only to let persons work at the machine, who

- know about basic safety and accident prevention rules and are instructed in the handling of the machine
- have read and understood the safety chapter of this manual and certify this by their signature.

The safety-conscious working of the staff has to be checked in regular intervals.

2.3. Obligations of the Worker

All persons who are to work at the machine are obliged before working:

- to follow the basic safety and accident protections rules.
- to have read and understood the safety chapter and the warnings in this manual and to confirm by their signature that they have well understood them.
- to inform themselves about the functions of the machine before using it.

2.4. Measures of Organization

- All equipment required for personal safety is to be provided by the owner.
- In addition to the manual, the common valid and the local accident protection rules and regulations for the environmental protection must be available and followed.

2.5. Information about Safety Precautions

- All available safety equipment is to be inspected regularly.
- The working instructions are to be permanently kept at the place of use of the machine. They are to be at the operator's disposal at any time and without much effort.
- Every time the machine changes hands or is being rent to third persons, the working instructions are to be sent along with and their importance is to be emphasized.

2.6. Instructions for the Staff

- Only skilled and trained persons are allowed to work at the machine.
- It must be clearly defined who is responsible for transport, mounting and dismounting, and starting the operation.
- A person who is being trained may only work at the machine under supervision of an experienced person.

2.7. Dangers while Handling the Machine

The **WIDOS Circular power hand saw with guide chain** is constructed according to the latest technical standard and the acknowledged technical safety rules.

However, dangers for the operator or other persons standing nearby may occur.

Also material damages are possible.

The machine may only be used:

- according to the purpose-oriented usage
- in safety technical impeccable status

Disturbances which may affect the safety of the machine must be cleared immediately



The following general safety instructions must be observed absolutely when working with electric tools!

- Protect electric tools from humidity (e.g. rain) !
- Do not use in the vicinity of inflammable liquids or gases.
- Do not use the cable for any other purposes! Do not use the power cable to carry the tool. Do not pull the plug out of the electric socket at the cable. Protect the cable from heat, oil and sharp edges!
- Remove the power plug whenever the tool is not in use.
- Use only approved and respectively marked extension cables.
- Check your machine on damages before starting the sawing operation !
- The working area must be kept clean. Lack of tidiness in the working area can lead to accidents.
- Keep visitors away.
- Damaged parts may only be inspected and changed by the **WIDOS** company or an authorized service partner.
- **Never** remove remaining parts near the saw blade with your fingers.
- The machine has to be switched off and the cable plug has **necessarily** to be unplugged before any fault clearance, repair or maintenance works.
- A working area around the machine without obstacles and a nonslip planar floor is of basic importance for a safe operation.
- The working area must be well lightened and free of waste (cuttings, remaining parts).
- Wear tight-fitting clothes during the work.
- Keep handles dry and free of grease and oil.
- Wear goggles and ear protector during the sawing operation.
- Do not wear finger-rings, bracelets, etc.
- If you have long hair, wear a hair net.
- Whenever necessary, wear suitable workers' protective clothing, such as ear protector or protective footwear.
- Take care that nobody has to step over the electric cable.

- Any unauthorized modifications on devices relevant to safety is forbidden.

The crankcase and the swivel bearing may only be opened by an authorized service partner (torsion spring in the inside is under high pressure !).

2.8. Warranty and Liability

Fundamentally our „general sales and delivery conditions“ are valid.

They are at the owner's disposal latest when signing the contract.

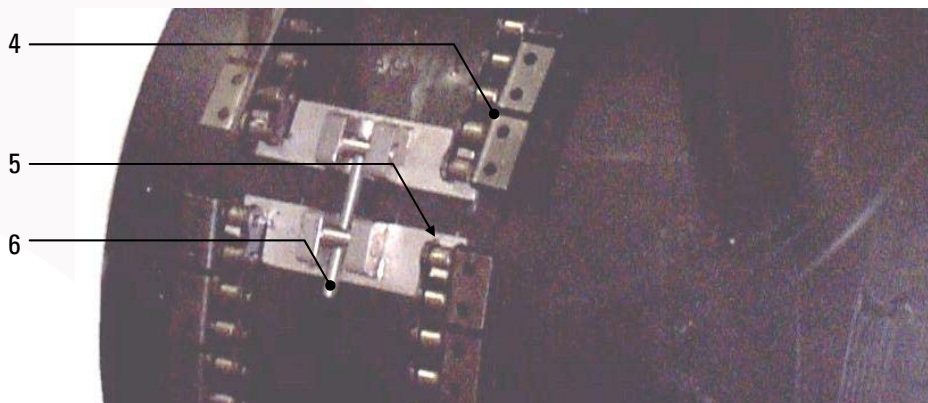
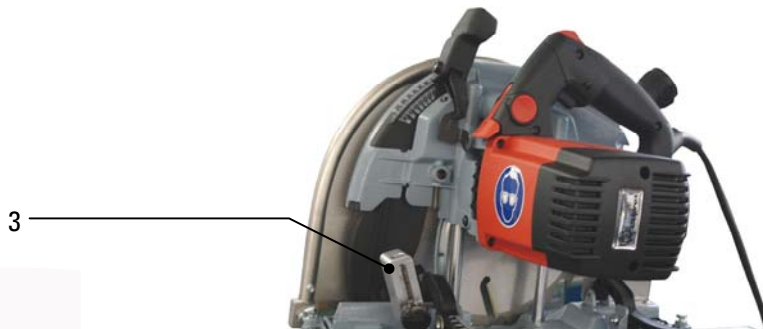
Guarantee and liability demands referring to personal injuries or damages on objects are excluded if they are caused by one or several of the following reasons:

- not using the machine according to the prescriptions
- inexpert transport, mounting, starting, operating, and maintenance of the machine
- running the machine with defective or not orderly mounted safety appliances
- ignoring the information given in this manual
- structural modifications on the machine without permission
- unsatisfactory checking of parts of the machine which are worn out
- repairs performed in an inexpert way
- in case of catastrophes and force majeure

2.9. Extension Cable and Stand-by Unit

- Only use a **not winded-up** extension cable with a cross section of 3x1.5 mm², max. 20 m (3x 2.5 mm², max. 50 m). At outdoor usage, only use approved and respectively marked extension cables.
- Connection to stand-by unit: minimum power 5 kVA.

3. Operating Elements



No.	Denomination/Function
1	Clamping lever for setting the sawing depth
2	Scale for setting the pipe diameter
3	Detent of the penetration into the pipe. Important → after fixing the sawing depth the detent must be released again
4	Handle for guiding the saw (on both sides)
5	Guide chain (fitting to the pipe OD)
6	Lead-in of the guide carriage
7	Chain tightener (incl. pan head screw) as far as possible to be attached at the upper side of the pipe
8	On / off switch and fixing button for on / off switch
9	Guard plate

4. Starting and Operating



The pipe must be solid and not deformed during the sawing operation.

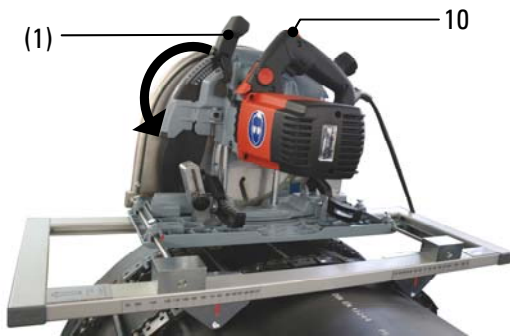


In order to achieve a clean and satisfactory cut, the sawing operation of large pipe diameters should be done by 2 persons.

4.1. Operating

- The sound pressure level is higher than the statutorily allowed 75 dB (A). Therefore an officially approved **ear protector** must be worn.
- Wear **goggles** in order to protect your eyes against the chips.
- Clamp the pipe firmly. As support use a pedestal.
- Lay the chain on the fixed part of the pipe with a distance of approx. 6-8 cm to the desired cut. The ends of the chain must be at the upper side of the pipe. Hang in the chain tightener into the link plates at the end of the chain. Tighten the chain at the joint by means of the hexagon socket head screw. The chain must still be movable around the pipe. Adjust the chain on a straight line around the pipe. Now tighten the pipe firmly.
- Adjust the cam rollers (underside guidance) to the pipe diameter by loosening the pan head screws. Adjust the right and the left guidance according to the pipe diameter (see the scale at the base) and tighten up the pan head screws again.
- Put in the rollers into the gap of the chain.
- The guide carriage must be easily movable in the chain.
- Fix the detent (B) for penetration.
- Lay the connection cable around the pipe. The plug should be at the side of the fixed part of the pipe in order to avoid a damage of the cable. Make sure that the cable is long enough. Plug in the cable at a 230 V / 50 Hz plug box.
- Switch on the saw.

4.1.1 Setting the cutting depth



The cutting depth is correctly adjusted if the saw blade protrudes from the material appr. by the depth of the cutting tooth.

Activate the saw at switch (10) and push clamping lever (1) downwards until it snaps in (arrow).

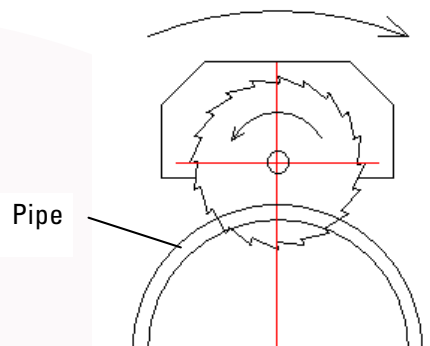
4.1.2 Sawing

- Loosen the detent for sawing.



Saw in **reverse rotation**.

Otherwise you run the risk of an unexpected saccadic movement onwards into sawing direction and of injuries.



Advance direction while cutting

- Pull the saw at the bow grip <C> smoothly around the pipe.
- When the sawing operation is finished, switch off the machine and unplug the cable.
- After standstill of the saw disc remove amount of chips out of the housing.

5. Storing / Maintenance / Changing the Saw Blade

5.1. Storage

- Store the saw dry and inaccessible for unauthorized persons.
- Protect it from pushes.
- Do not lay the saw on the saw blade.

5.2. Maintenance

The circular power hand saw requires practically no maintenance. The lubrication for the antifriction bearings and gears is designed to last for the service life of the machine.

It is recommended to clean the air intake and outlet ports occasionally with compressed air while the machine is at standstill. This will prevent the openings from becoming clogged with dust.

5.3. Changing the Saw Blade



Before changing the saw blade or any work on the machine, first remove the plug from the mains.



Only use saw blades suitable for the application.

Saw blades of highly alloyed, high speed steel (HSS) **must not** be used.

- Always use a well-sharpened blade suitable for the application.
- Blunt or cracked and deformed blades are dangerous and must not be used.



Actuate pushbutton (A) and fold lever (B) upwards.
Disassemble adjusting ring (E) and unhinge Bowden cable (C).
Then fold the guard plates (D) sideways.



Take the attached Allen key SW 5 and detach screw (F) of the saw blade.
Remove the saw blade and clean the support surfaces between tool flange, saw blade and clamping flange before mounting it.
Insert a new saw blade and fix the screws for the saw blade.
Attach guard plate (D) and fix it with Bowden cable (C).
Mount back adjusting ring (E) before Bowden cable (C).
At last, fold lever (B) back downwards; pushbutton (A) will thus snap in again.

5.4. Disposal



Dispose of the machine at the end of its lifetime properly, environmentally sound and according to the national laws of waste disposal.

6. Spare Parts List



You can access our website and select our spare parts lists via the qr code shown here. Select "Circular power hand saw with guide chain Typ 1"

7. Declaration of Conformity

Issuing the declaration of conformity with regard to complying with the basic requirements and assembling the technical documentation is in the sole responsibility of:	
Manufacturer / Installation company:	WIDOS Wilhelm Dommer Söhne GmbH
Address:	WIDOS GmbH Einsteinstr. 5 D-71254 Ditzingen

Subject of the present declaration is the following device:	
Product name:	WIDOS Circular Power Hand Saw with Guide Chain Type 1
Model name:	Circular Power Hand Saw with Guide Chain Type 1
Machine number:	
Year of construction:	

For the stated device we herewith declare that it complies with the basic requirements stipulated in the following designated harmonizing regulations:
in the sense of the EC guideline EC-Machinery Directive 2006/42/EC

Statement of the relevant harmonizing standards referred to, or indication of the specifications that the conformity is declared for:	
Standard	Title
DIN EN ISO 12100	Safety of machines, basic concepts, general layout guidelines
DIN EN 60204.1	Electric equipment of industrial machines
DIN EN 60555, DIN EN 50082, DIN EN 55014	Electro-magnetic resistance
DIN EN ISO 4414	Safety specifications for fluid technical installations and components
DIN EN 60950	Safety of equipments of the information technology

Entitled to compile the technical documentation:	
Name:	WIDOS Wilhelm Dommer Söhne GmbH
Address:	Einsteinstr. 5 D-71254 Ditzingen

Signed on behalf of the company:	
Name, first name:	Dommer, Martin
Function:	Technical director

Heimerdingen, 06.05.2019

Place / Date

Legally binding signature



This declaration is to certify the compliance with the mentioned harmonizing regulations, however does not include any assurance of properties.