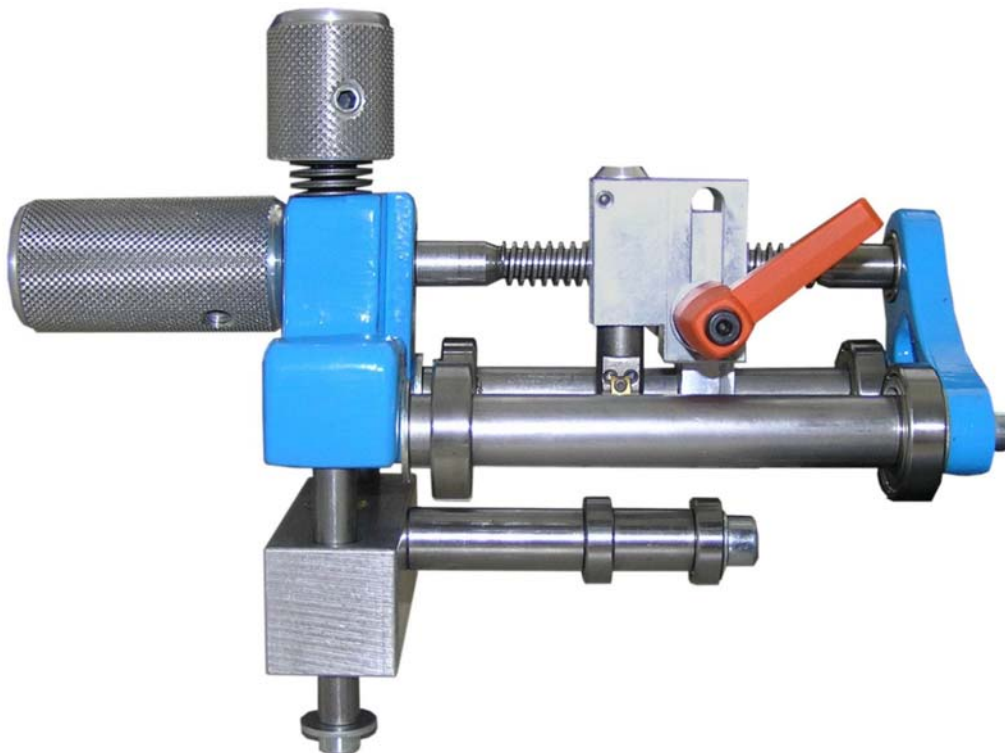


Working Instructions Translation

WIDOS Pipe-peeling tool size 1



Keep for further use!

Type: **WIDOS Pipe-peeling tool size 1**
Serial number: / construction year: see type label

Customer entries

Inventory-No.:
Location:

Spare parts order and sales service

Address of manufacturer

WIDOS
Wilhelm Dommer Söhne GmbH
Einsteinstr. 5
D -71254 Ditzingen

Phone: +49 7152 9939 0
Fax: +49 7152 9939 40

Purpose of the document

These working instructions give you information about all important questions which refer to the construction and the safe working of your machine.

Just as we are, you are obliged to engage in this working instruction, as well.

Not only to run your machine economically but also to avoid damages and injuries.

Should questions arise, contact our advisers in the factory or in our subsidiary companies.

We will help you with pleasure.

According to our interest to continuously improve our products and working instructions, we kindly ask you to inform us about problems and defects which occur in exercise.

Thank you.

Structure of the working instructions

This manual is arranged in chapters, which belong to the different using phases of the machine. Therefore the searched information's can be easily found.



©6/25/2019 **WIDOS**

Wilhelm Dommer Söhne GmbH

Einsteinstraße 5

D-71254 Ditzingen

All rights reserved

Reprinting only allowed with permission of the corporation.

Any changes are subject to technical innovations.

1. DESCRIPTION OF THE PRODUCT	5
1.1. Usage and appropriated use.....	5
1.2. Technical data	5
1.2.1. WIDOS Pipe-peeling tool size 1	5
1.2.2. Transport box.....	5
1.3. Equipment and accessories.....	5
2. SAFETY RULES.....	6
2.1. Explanation of the symbols and indications	6
2.2. Obligations of the owner, organizational measures.....	6
2.3. Structural modifications on the machine	6
2.4. Warranty and liability	7
3. INDICATING ELEMENTS / OPERATING	8
3.1. Indicating elements.....	8
3.2. Operating	9
4. MAINTENANCE AND STORAGE.....	10
4.1. In general.....	10
4.2. Maintenance	10
4.3. Storage	10
4.4. Disposal	10
5. SPARE PARTS LIST	11
6. DECLARATION OF CONFORMITY	12

1. Description of the product

1.1. Usage and appropriated use

The **WIDOS Pipe-peeling tool size 1** has been developed for the site use, especially to prepare the pipe ends for the electro socket welding.

Operative range: OD 32 / 40 / 50 / 63 / 75 / 90 / 110 / 125 mm.

Each usage beyond this one is considered as inappropriate.

The manufacturer is not liable for damages resulting out of it.

The risk is borne by the user exclusively.

1.2. Technical data

1.2.1. WIDOS Pipe-peeling tool size 1

Weight:	appr. 2,3 kg
Adequate for OD:	32 – 125 mm
Peeling length:	max. 100 mm

1.2.2. Transport box

Dimension:	365 x 300 x 160 mm
Weight:	appr. 2,6 kg

1.3. Equipment and accessories

The following tools and accessories are part of the first delivery:

1	Transport box
1	Torx-screw driver T 6x50

Order numbers and single spare parts may be inquired at the WIDOS company.

2. Safety rules

The basic condition for the safety conscious handling and the fault-free operation of this machine is the knowledge of the basic safety advises and rules.

These working instructions contain the most important indications to run the machine according to the safety rules and they have to be followed by all persons working on the machine.

2.1. Explanation of the symbols and indications

In the working instructions the following denominations and symbols are used for dangers:



This symbol means a possible dangerous situation.

- The disrespect of these indications may cause slight injuries or damages on goods.



This symbol gives important indications for the proper use of the machine.

- The disrespect of these indications may lead to malfunctions and damages on the machine or on goods in the surrounding.



Under this symbol you get user tips and particularly useful information.

- It is a help for using all the functions on your machine in an optimal way and helps you to make the job easier.

The measures for the prevention of accidents are valid (UVV).

2.2. Obligations of the owner, organizational measures

The owner engages himself to only let people work on the machine which

- are familiar with the basic prescriptions about work safety and which have also been initiated into the handling of the machine, as well as
- who have read and understood the safety chapter and the warning indications in this working instructions and who certified that by their signature.
- The working instructions are always to be kept at the location on which the machine is being used. They have to be accessible for the staff at any moment and without any effort.

2.3. Structural modifications on the machine

- Without permission of the manufacturer no modifications, mountings or reconstructions on the machine may be performed.
- Machine parts which are not in perfect condition are to be replaced immediately.
- Only use original **WIDOS** spare and wear parts.
- For orders always give the machine **number!**

2.4. Warranty and liability

Our "general terms of sales and delivery" are basically valid.

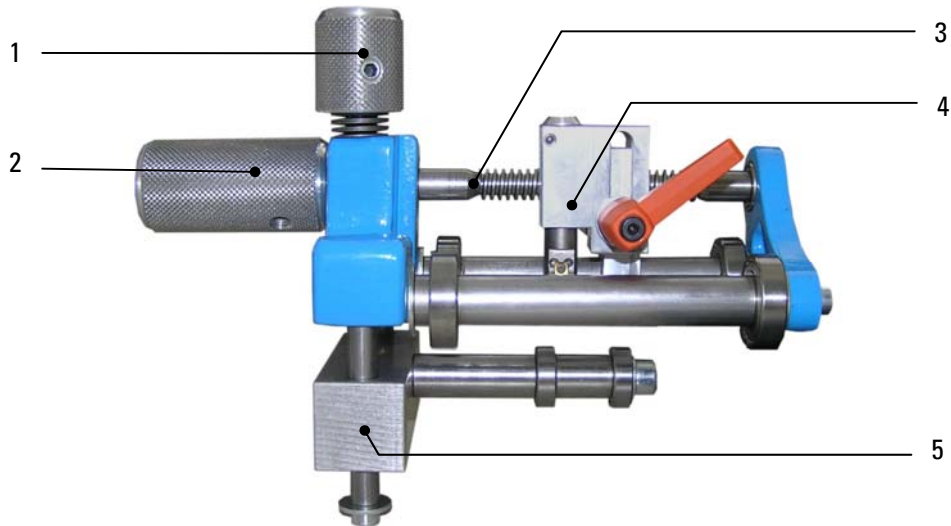
These are at the owner's disposal latest after conclusion of the contract.

Rights of warranty and liability in case of bodily injury and property damage are excluded, if they are due to one or several of the following causes:

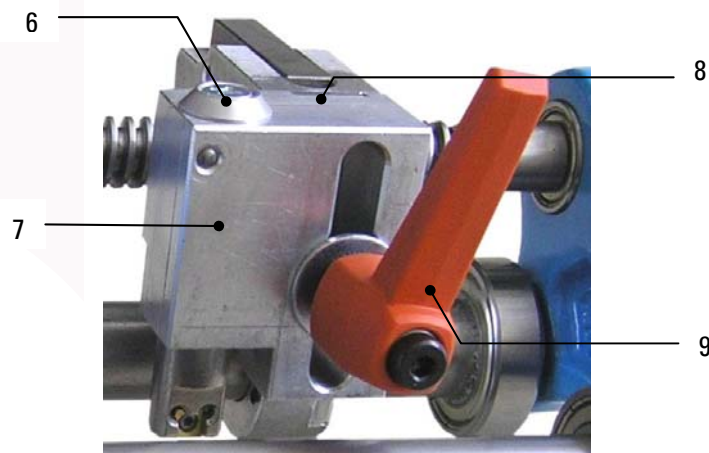
- Inappropriate usage of the machine.
- Inappropriate transport, mounting, starting, operating and maintaining of the machine.
- Not following the instructions of the working instructions.
- Personal structural modifications on the machine.
- Imperfect watching of machine parts which are subject to wearing.
- Repairs performed in an imperfect way.
- Catastrophes due to external actions and Acts of God.

3. Indicating elements / operating

3.1. Indicating elements



<i>No.</i>	<i>Denomination</i>
1	Locking screw
2	Star handle
3	Lifting spindle
4	Cutting unit
5	Limit stop



<i>No.</i>	<i>Denomination</i>
6	Knife lift
7	Knife holder
8	Quick release
9	Clamping lever

3.2. Operating

- Mark the insertion depth of the socket with at the pipe by the WIDOS marker.
- Release the clamping lever **(9)** and drive the knife holder completely back **(7)**
- Put the peeling tool onto the pipe up to limit stop **(5)** and fix the tool by the locking screw **(1)** with moderate force.
- Press the quick release **(8)** and adjust the cutting unit **(4)** to the desired peeling length.
- Release the clamping lever **(9)** and shift the knife holder **(7)** against the pipe until the knife lift **(6)** is appr. 3 – 4 mm.
- Tighten the clamping lever **(9)** and turn the peeling tool quickly in arrow direction (clockwise) by the star handle **(2)** until it is free-wheeling around the pipe.



You must press the peeling tool against the pipe end during peeling in order to avoid tilting of the tool in axial direction!

- Release the clamping lever **(9)**, shift the knife holder **(7)** back and release the tool by the clamping lever **(1)** in order to remove it.

4. Maintenance and storage

4.1. In general

- Damaged parts need to be replaced **immediately**.
- In case of repair works only use **WIDOS spare parts**.



Prescribed maintenance and inspection work are to be done within the prescribed time.

Inspection works after 1 year or 1000 peelings are recommended.

The work is to be performed by the WIDOS company or at an authorized partner.

- Store the device in dry condition.
- Protect from heavy shocks and crushes.
- The device is to be handled carefully.

4.2. Maintenance

- Keep lifting spindle and shafts clean and slightly oiled.
- Replace the knives if necessary, they can be used from both sides.
- The ball bearings do not need any maintenance.

4.3. Storage

- In case you do not use the pipe peeling tool, store it in its respective transport case.

4.4. Disposal



At the end of their life time, the apparatus and the wear parts have to be disposed of properly and non-polluting, and in accordance with the national laws of waste disposal.

5. Spare parts list



You can access our website and select our spare parts lists via the qr code shown here. Select " Pipe-peeling tool size 1"

6. Declaration of conformity

Issuing the declaration of conformity with regard to complying with the basic requirements and assembling the technical documentation is in the sole responsibility of:

Manufacturer / Installation company:	WIDOS Wilhelm Dommer Söhne GmbH
Address:	WIDOS GmbH Einsteinstr. 5 D-71254 Ditzingen

Subject of the present declaration is the following device:

Product name:	Pipe-peeling tool
Model name:	Pipe-peeling tool size 1

For the stated device we herewith declare that it complies with the **basic requirements** stipulated in the following designated harmonizing regulations:

in the sense of the EC guideline EC-Machinery Directive 2006/42/EC

Statement of the relevant **harmonizing standards** referred to, or indication of the specifications that the conformity is declared for:

Standard	Title
DIN EN ISO 12100	Safety of machines, basic concepts, general layout guidelines

Entitled to compile the technical documentation:

Name:	WIDOS Wilhelm Dommer Söhne GmbH
Address:	Einsteinstr. 5 D-71254 Ditzingen

Signed on behalf of the company:

Name, first name:	Dommer, Martin
Function:	Technical director

Heimerdingen, 25.06.2019

Place / Date



Legally binding signature

This declaration is to certify the compliance with the mentioned harmonizing regulations, however does not include any assurance of properties.