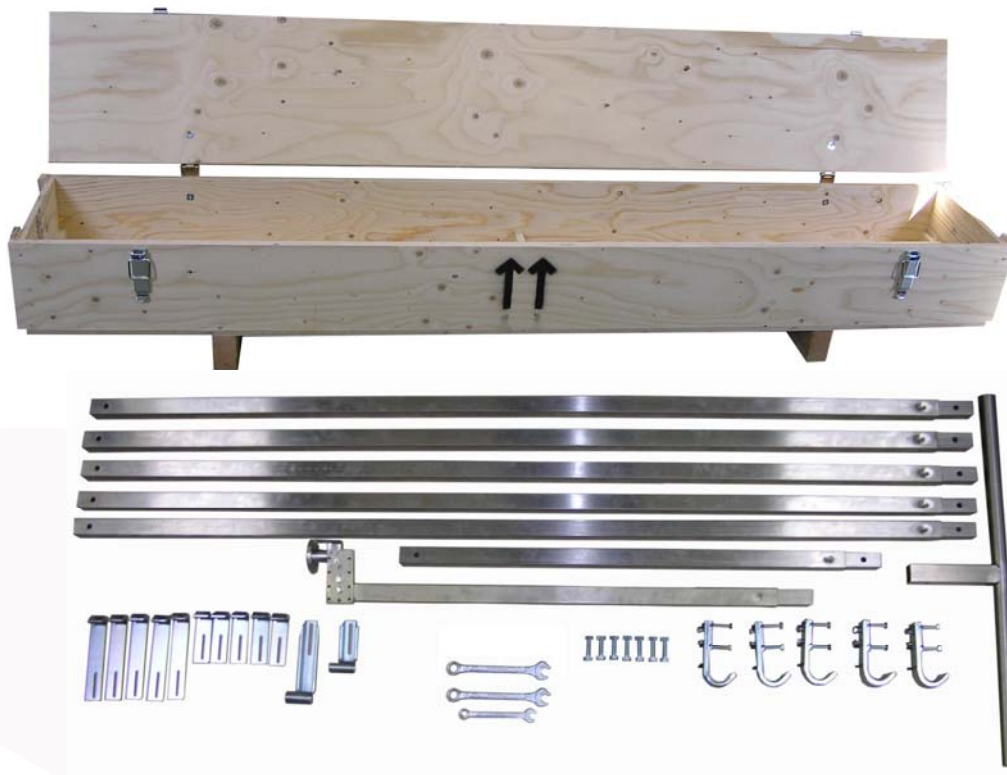


# Working Instructions Translation

**WIDOS Inside debader 300  
unheated**



Keep for further use !

Type: **WIDOS Inside debader 300, unheated**

Serial number / year of construction: see nameplate

### Customer entries

Inventory No.:

Place of working:

### Order of spare parts and after sales service

#### Address of manufacturer

#### **WIDOS**

Wilhelm Dommer Söhne GmbH  
Einsteinstr. 5

D -71254 Ditzingen

Phone: ++49 7152 9939 0

Telefax: ++49 7152 9939 40

E-mail: [info@widos.de](mailto:info@widos.de)

## Purpose of the document

These working instructions give you information about all important questions which refer to the construction and the safe working of your apparatus.

Just as we are, you are obliged to engage in these working instructions, as well.

Not only to run your apparatus economically but also to avoid damages and injuries.

Should questions arise, contact our service team in the factory or in our subsidiary companies.

We will help you with pleasure.

According to our interest to continuously improve our products and working instructions, we kindly ask you to inform us about problems and defects which occur in exercise.

Thank you.

## Structure of the working instructions

This manual is arranged in chapters which belong to the different using phases of the apparatus. Due to this structure, the searched information can be easily found.



©29/05/2019 **WIDOS**

Wilhelm Dommer Söhne GmbH

Einsteinstraße 5

D-71254 Ditzingen

All rights reserved.

Reprinting only allowed with permission of the corporation.

Any changes prior to technical innovations.

<b>1. DESCRIPTION OF THE PRODUCT .....</b>	<b>5</b>
1.1. Usage and purpose-oriented use .....	5
1.2. Safety measures.....	5
1.3. Conformity.....	5
1.4. Designation of the product .....	5
1.5. Technical data .....	6
1.5.1. WIDOS Inside debreader 300, unheated .....	6
1.6. Equipment .....	6
1.7. Supplementary package (optional) .....	6
<b>2. SAFETY RULES.....</b>	<b>7</b>
2.1. Explanation of the symbols and indications .....	7
2.2. Obligations of the owner, measures of organization.....	7
2.3. Structural modifications on the apparatus .....	7
2.4. Danger of cutting at cutting head .....	8
2.5. Warranty and liability .....	8
<b>3. OPERATING ELEMENTS AND OPERATING .....</b>	<b>9</b>
3.1. Operating elements .....	9
3.2. Beam with cutting head, support and extension.....	10
3.3. Guidance with extension and support.....	10
3.4. Operating .....	11
3.4.1. Remove the bead.....	11
<b>4. MAINTENANCE AND STORAGE.....</b>	<b>12</b>
4.1. Disposal .....	12
<b>5. SPARE PARTS LIST .....</b>	<b>13</b>
<b>6. DECLARATION OF CONFORMITY .....</b>	<b>14</b>

# 1. Description of the product

## 1.1. Usage and purpose-oriented use

The **WIDOS Inside Debeader 300, unheated** has been particularly designed for the use on building sites to enable the removal of welding beads on PE and PP pipes on site.

The bead is removed ideally during the cooling time.

Support (for cutting-head) for the range of: Inside Ø appr.	160 - 230 mm (size 1), 230 - 300 mm (size 3).
Support (for extension) for the range of: Inside Ø appr.	160 - 230 mm (size 1), 230 - 300 mm (size 3).

All use going beyond is not prescribed.

The manufacturer is not responsible for damages caused by misuse.

The risk is held only by the user.

## 1.2. Safety measures

In case of wrong use, wrong operation or wrong maintenance, the machine itself or products standing nearby can be damaged or destroyed.

Persons being in the endangered area may be injured.

Therefore these working instructions have to be thoroughly read and the corresponding safety regulations must be necessarily adhered to.

## 1.3. Conformity

The machine corresponds in its construction to the valid recommendations of the European Community as well as to the according European standard specifications.

The development, manufacturing and mounting of the machine were made very carefully.

## 1.4. Designation of the product

The product is designated by type labels which are attached at the crane, at the aggregate, at the heating element, at the planer and at the basic machine.

They contain the type, the serial number and the year of construction of the machine.

## 1.5. Technical data

All important technical data of each single component are displayed.

They allow a rapid information about the working capacity and the structure

### 1.5.1. WIDOS Inside debader 300, unheated

Weight incl. accessories:	appr. 53 kg
Suitable for inside Ø:	160 - 300 mm
Length:	12 m
Packing, wooden case	appr. 22 kg

## 1.6. Equipment

The following equipment is part of the first delivery:

Piece	Denomination / Function
1	Annular fork wrench, size 13
2	Annular fork wrench, size 19

For article numbers and single parts please contact the WIDOS company.

## 1.7. Supplementary package (optional)

Weight incl. Accessories:	ca. 24 kg
Suitable for inside Ø:	160 - 300 mm
Length:	appr. 8 m

## 2. Safety rules

The base for the safe handling and the fault-free operation of this apparatus is the knowledge of the basic safety indications and rules.

These working instructions contain the most important indications to run the apparatus safely.

The safety indications are to be followed by all persons working with the apparatus.

### 2.1. Explanation of the symbols and indications

In the working instructions, following denominations and signs are used for dangers:



This symbol means a possible dangerous situation by moving parts of the machine

- The disrespect of these indications may cause heavy crushing's of parts of the body resp. damages of parts of the machine.



This symbol gives important indications for the proper use of the machine.

- The disrespect of these indications may conduct to malfunctions and damages on the machine or on goods in the surrounding.



Under this symbol you get user tips and particularly useful information.

- It is a help for using all the functions on your apparatus in an optimal way and helps you to make the job easier.

**The regulations for the prevention of accidents are valid (UVV).**

### 2.2. Obligations of the owner, measures of organization

The owner is obliged only to let persons work with the apparatus, who

- know about basic safety and accident prevention rules and are instructed in the handling of the apparatus, as well as who
- have read and understood the safety chapter of this manual and certify this by their signature.
- The working instructions have to be permanently kept at the place of use of the apparatus. They are to be at the operator's disposal at any time and without effort.

### 2.3. Structural modifications on the apparatus

- No modifications, extensions or reconstructions may be made on the apparatus without permission of the manufacturer.
- Parts of the apparatus which are not in a perfect condition are to be replaced immediately.
- Only use original **WIDOS** spare and wear parts.
- In case of purchase orders please always indicate the **serial number** of the apparatus!

## 2.4. Danger of cutting at cutting head



You may get injured by cutting yourself.

- Do not touch the cutting head at the knife, take special care upon changing the knife.

## 2.5. Warranty and liability

Fundamentally our "General Sales and Delivery Conditions" are valid.

They are at the owner's disposal latest when signing the contract.

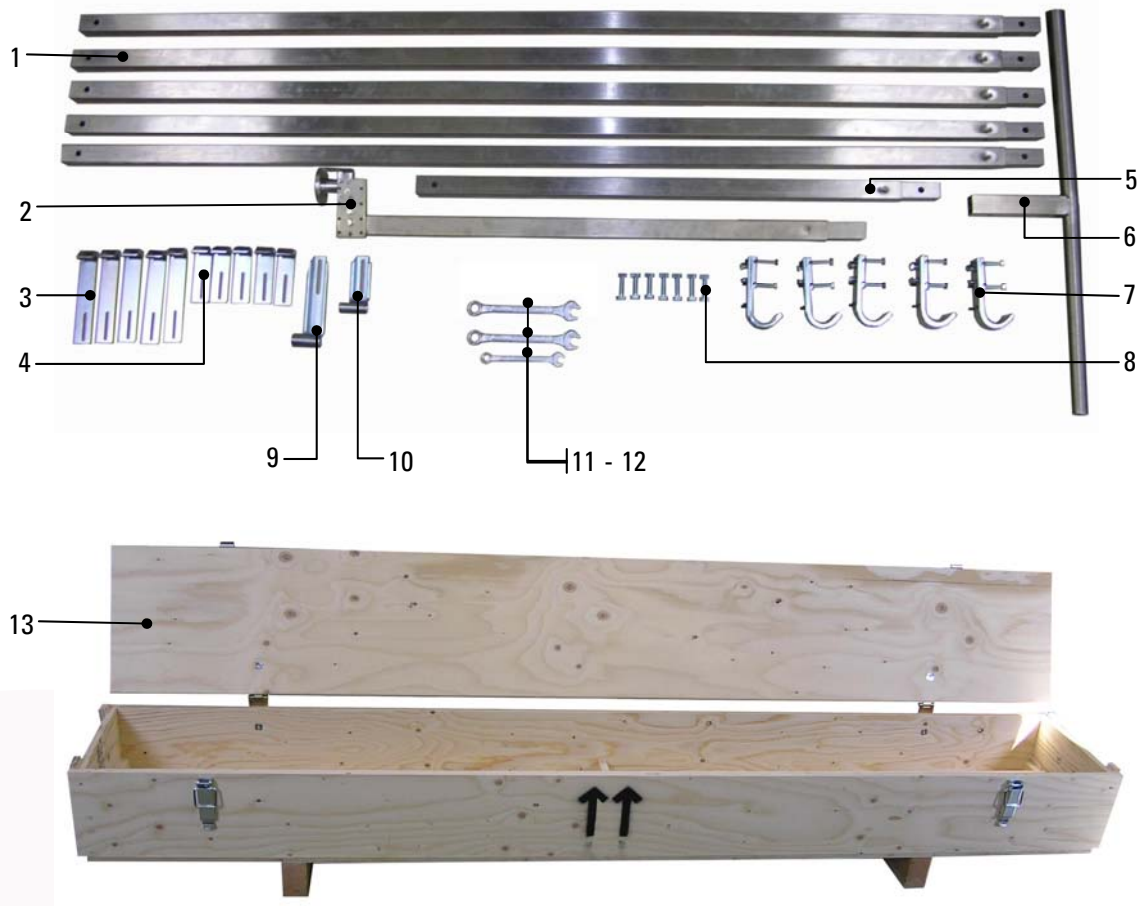
Guarantee and liability demands referring to personal injuries or damages on objects are excluded if they are caused by one or several of the following reasons:

- Not using the apparatus according to the prescriptions.
- Inexpert transport, mounting, starting, operating and maintenance of the apparatus.
- Ignoring the information given in this manual.
- Structural modifications on the apparatus without permission.
- Unsatisfactory checking of parts of the apparatus which are subject to wearing.
- Repairs performed in an inexpert way.
- In case of catastrophes and force majeure.



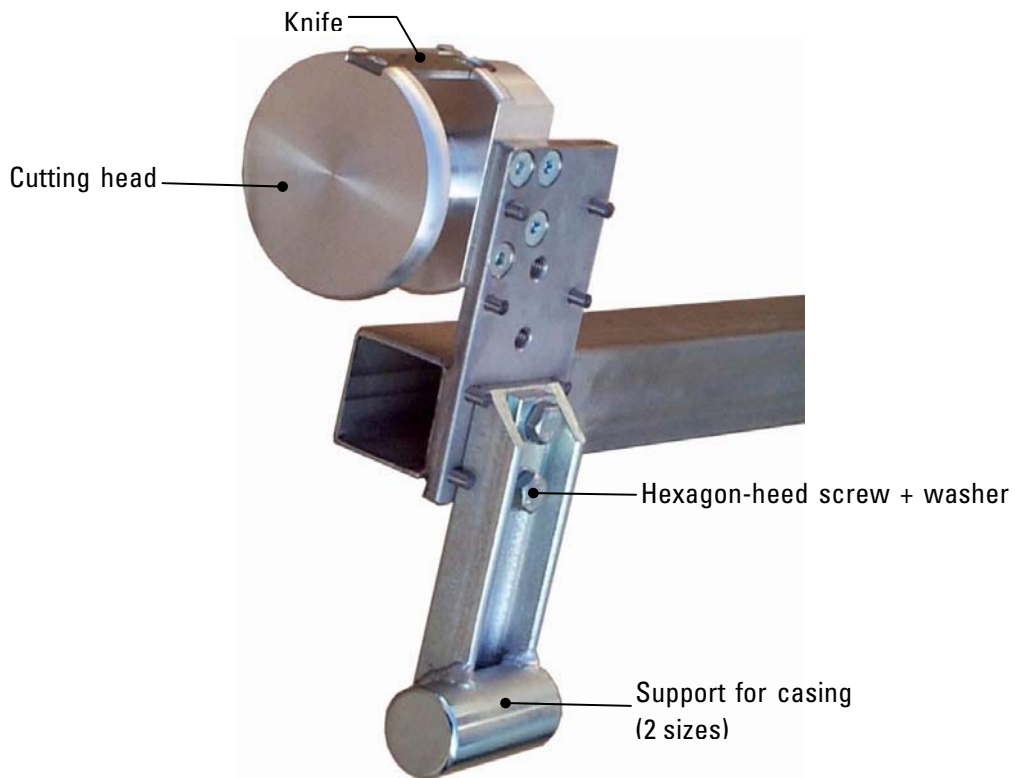
## 3. Operating elements and operating

### 3.1. Operating elements

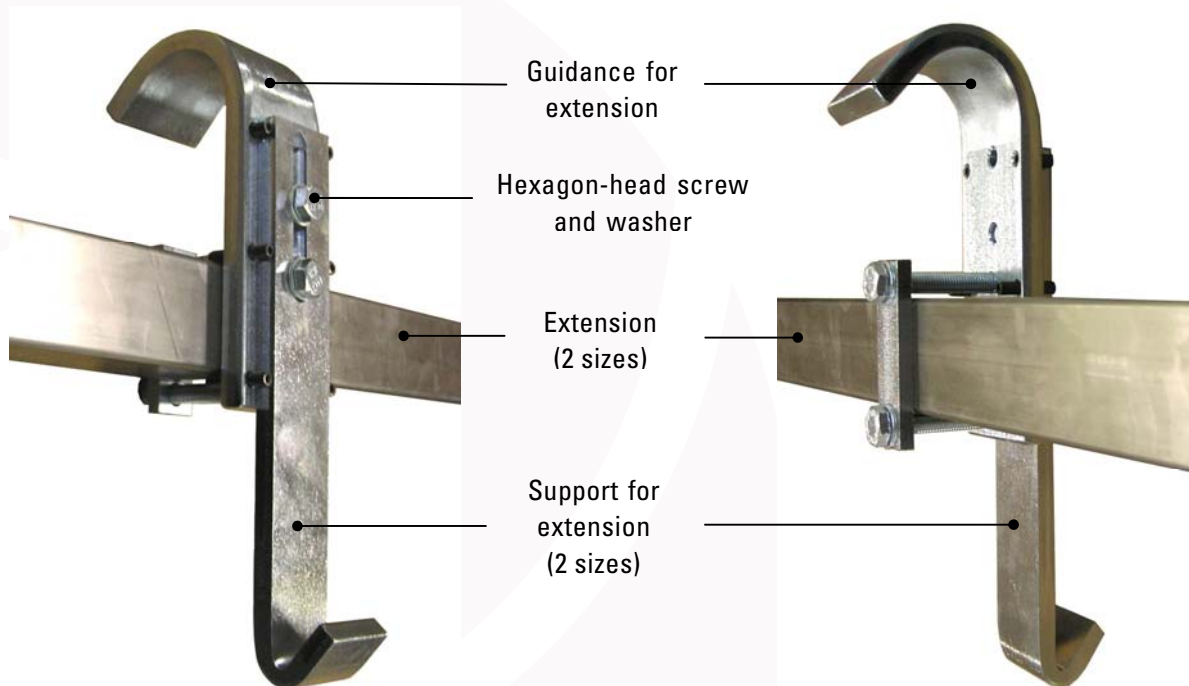


<i>No.</i>	<i>Name</i>
1	5 x Extension for handle 2 m
2	Beam with cutting head for casing and extension
3	5 x Support for extension, size 1 (Ø 160 – 230 mm)
4	5 x Support for extension, size 3 (Ø 230 – 300 mm)
5	Extension for handle 1 m
6	Handle
7	5 x Guidance for extension complete
8	5 x Hexagon-head screw and hexagon nut
9	Support for casing, size 3 (Ø 230 – 300 mm)
10	Support for casing, size 1 (Ø 160 – 230 mm)
11	Annular fork wrench size 13
12	Annular fork wrench size 19
13	Transport case

### 3.2. Beam with cutting head, support and extension



### 3.3. Guidance with extension and support

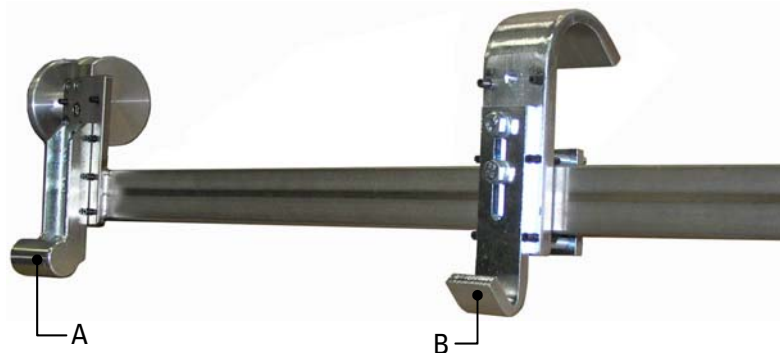


### 3.4. Operating



The welding bead should be removed after lapse of 40 - 50 % of the cooling time (welding process).

- The required pipe inner diameter for removing the bead is calculated as follows:  
Pipe inner diameter minus 1 x bead height.



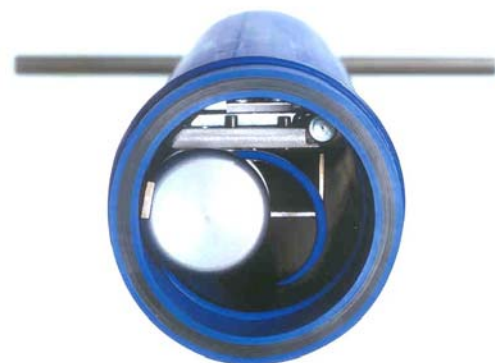
- Mount the support (A) according to the required inner diameter of the pipe on the beam with cutting head.
- Mount the support (B) (according to the inner diameter of the pipe) at the guidance for extension.
- Both supports (sleeve pointing downwards) have to be on the same side of extension.
- If required, the extensions have to be screwed in alignment with the cutting head extension (enclosed hexagon screw and nut).  
The additional guidance's for extension also have to be mounted (middle or end of the extension).

#### 3.4.1. Remove the bead



The welding bead should be removed after lapse of 40 - 50 % of the cooling time (welding process).

- Insert the cutting head vertically into the pipe (the cutting knife has to point upwards) until the sleeve of the guiding / cutting head abuts at the bead thereby holding the handle horizontally (the inside debader is out of the pipe center axis).
- Turn the cutting head steadily *in clockwise direction* by 360° and cut off the bead.



**Do not displace** the inside debader in an axial direction once the cutting operation has started!

- Pull out the inside debader together with the cut-off bead.

## 4. Maintenance and storage

- Replace damaged parts immediately.
- Only use WIDOS spare parts.



Prescribed maintenance and inspection works should be performed in time.

Inspection works after 1 year are recommended.

The works should be performed at the WIDOS GmbH company or by an authorized partner.

- Check the knife for sharpness, exchange it if necessary.
- Store in a dry place.
- Protect the apparatus from vibrations and shocks.
- Handle the apparatus carefully.

### 4.1. Disposal



At the end of the life time, the apparatus has to be disposed of properly and non-polluting, and in accordance with the national laws of waste disposal.

## 5. Spare parts list



You can access our website and select our spare parts lists via the qr code shown here. Select "Inside Debeader 300"

## 6. Declaration of conformity

Issuing the declaration of conformity with regard to complying with the basic requirements and assembling the technical documentation is in the sole responsibility of:	
Manufacturer / Installation company:	WIDOS Wilhelm Dommer Söhne GmbH
Address:	WIDOS GmbH Einsteinstr. 5 D-71254 Ditzingen

Subject of the present declaration is the following device:	
Product name:	<b>Debeader</b>
Model name:	<b>Inside Debeader 300, unheated</b>

For the stated device we herewith declare that it complies with the <b>basic requirements</b> stipulated in the following designated harmonizing regulations:
<b>in the sense of the EC guideline EC-Machinery Directive 2006/42/EC</b>

Statement of the relevant <b>harmonizing standards</b> referred to, or indication of the specifications that the conformity is declared for:	
Standard	Title
DIN EN ISO 12100	Safety of machines, basic concepts, general layout guidelines

Entitled to compile the technical documentation:	
Name:	WIDOS Wilhelm Dommer Söhne GmbH
Address:	Einsteinstr. 5 D-71254 Ditzingen

Signed on behalf of the company:	
Name, first name:	Dommer, Martin
Function:	Technical director

Heimerdingen, 29.05.2019

Place / Date



Legally binding signature

This declaration is to certify the compliance with the mentioned harmonizing regulations, however does not include any assurance of properties.