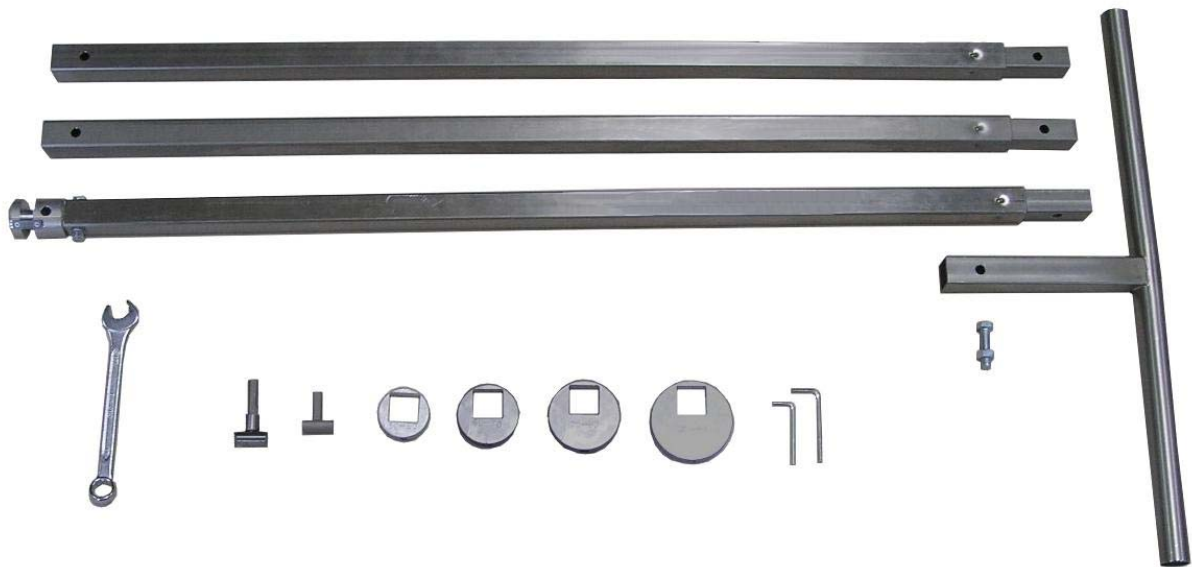


# Working Instructions Translation

## WIDOS Internal bead remover 80



Keep for further use !

Type: **WIDOS Internal bead remover 80**  
Serial number: / year of construction: see type plate

**Customer entries**

Inventory-no.:  
Place of working:

**Order of spare parts and sales service:**

**Address of manufacturer**

**WIDOS**  
Wilhelm Dommer Söhne GmbH  
Einsteinstr. 5  
D -71254 Ditzingen  
  
Phone: +49 7152 9939 0  
Telefax: +49 7152 9939 40

## Purpose of the document

These working instructions give you information about all important questions which refer to the construction and the safe working of your apparatus.

Just as we are, you are obliged to engage in these working instructions, as well.

Not only to run your apparatus economically but also to avoid damages and injuries.

Should questions arise, contact our advisers in the factory or in our subsidiary companies.

We will help you with pleasure.

According to our interest to continuously improve our products and working instructions, we kindly ask you to inform us about problems and defects which occur in exercise.

Thank you.

## Structure of the working instructions

This manual is arranged in chapters, which belong to the different using phases of the apparatus. Therefore the searched information can be easily found.



© 29.05.2019 **WIDOS**

Wilhelm Dommer Söhne GmbH

Einsteinstraße 5

D-71254 Ditzingen

All rights reserved

Reprinting only allowed with permission of the corporation.

Any changes prior to technical innovations.

<b>1.</b>	<b>DESCRIPTION OF PRODUCT</b>	<b>5</b>
1.1.	USAGE AND PURPOSE-ORIENTED USE	5
1.2.	TECHNICAL DATA	5
1.2.1.	WIDOS Internal bead remover 80	5
1.3.	EQUIPMENT	5
<b>2.</b>	<b>SAFETY RULES</b>	<b>6</b>
2nd1st	Explanation of the symbols and indications	6
2.2.	Obligations of the owner	6
2.3.	Obligations of the user	6
2.4.	Structural modifications on the apparatus	7
2.5.	Warranty and liability	7
<b>3.</b>	<b>OPERATING AND INDICATING ELEMENTS</b>	<b>8</b>
3.1.	Indicating elements	8
3.2.	Elements at the head	8
3.3.	Guide for extension	9
3.4.	Operating	9
<b>4.</b>	<b>MAINTENANCE AND STORING</b>	<b>10</b>
4.1.	Disposal	10
<b>5.</b>	<b>SPARE PART LIST</b>	<b>11</b>
<b>6.</b>	<b>DECLARATION OF CONFORMITY</b>	<b>12</b>

# 1. Description of product

## 1.1. Usage and purpose-oriented use

**WIDOS Internal bead remover 80** was developed for the use at building sites in order to enable the removal of welding beads of PE and PP pipes on site.

Guides for the range: Inner-Ø 50 - 60 mm, 60 - 70 mm, 70 - 80 mm, 80 - 90 mm.

Supports for the guide: Inner-Ø 50 – 70 mm; 70 – 90 mm.

All use going beyond is not prescribed.

The manufacturer is not responsible for damages caused by misuse.

The risk held only by the user.

## 1.2. Technical data

### 1.2.1. WIDOS Internal bead remover 80

Weight:	Appr. 3 kg
Inside diameter:	50 - 90 mm

## 1.3. Equipment

The following equipment is part of the delivery:

1 each	Allan key size 3, 4, 5
2	Ring- / fork wrench size 13
1	Ring- / fork wrench size 17
1	Torx screw driver T10

**Stock numbers and individual parts can be inquired at the company WIDOS.**

## 2. Safety rules

A basic premise for working safely and without disturbances is the knowledge of the safety signs and safety rules.

These working instructions contain the most important information for operating the device according to the safety standards. They have to be followed by all persons working on the apparatus.

### 2nd1st Explanation of the symbols and indications

In the working instructions the following denominations and signs are used for dangers:



This symbol means a possible dangerous situation.

- The disrespect of these indications may cause slight injuries or damages on goods.



This symbol gives important indications for the proper use of the apparatus.

- The disrespect of these indications may conduct to malfunctions and damages on the apparatus or on goods in the surrounding.



Under this symbol you get user tips and particularly useful information.

- It is a help for using all the functions on your apparatus in an optimal way and helps you to make the job easier.

**The regulations for the prevention of accidents are valid (UVV).**

### 2.2. Obligations of the owner

The owner is obliged only to let persons work at the apparatus who

- know about basic safety and accident prevention rules and are instructed in the handling of the apparatus, as well as who
- the workers also must have read and understood the safety chapter of this manual and certify this by their signature
- the safety-conscious working of the staff has to be checked in regular intervals.

### 2.3. Obligations of the user

All persons who are to work at the apparatus are obliged:

- to follow the basic safety and accident protection rules,
- to have read and understood the safety chapter and the warnings in this manual and to confirm by their signature that they have well understood them,
- to inform themselves about the functions of the apparatus before using it, before working.

## 2.4. Structural modifications on the apparatus

- No modifications, extensions or reconstructions may be made on the apparatus without permission of the manufacturer. In case of disrespect the warranty or liability will expire.
- Apparatus parts which are not in a perfect condition are to be immediately replaced.
- Only use original **WIDOS** spare and wear parts.
- In case of purchase orders please always indicate the **apparatus number!**

## 2.5. Warranty and liability

Our „General Sales and Delivery Conditions“ are principally valid.

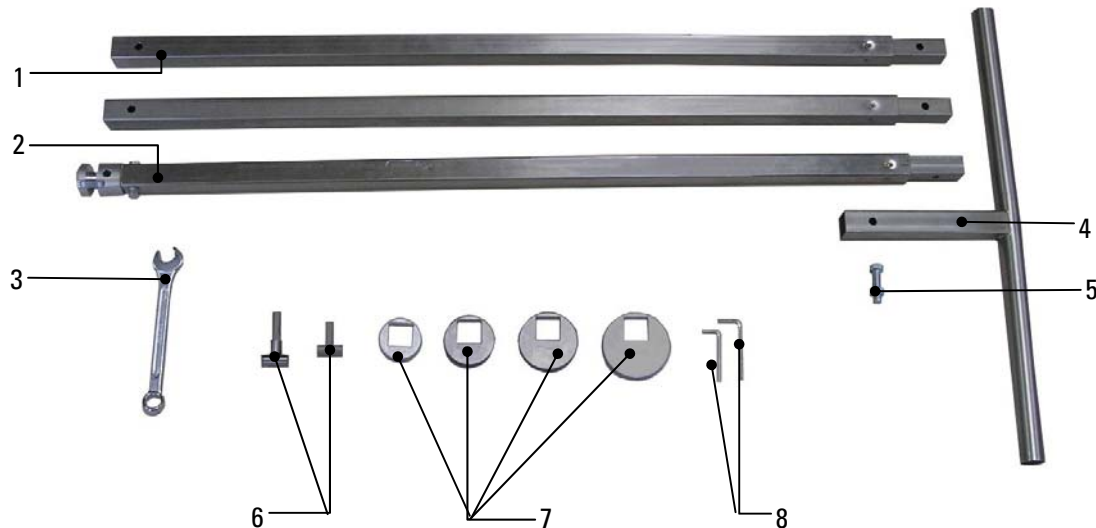
They are at the owner's disposal at the latest when signing the contract.

Warranty and liability demands referring to damages of persons or objects are suspended if they are caused by one or several of the following reasons:

- not using the apparatus according to the prescriptions
- improper transport, building-up, starting and operating the apparatus and maintenance
- operating the apparatus with defective or improperly installed security measures
- ignoring the information given in this manual
- structural changes at the apparatus without permission
- unsatisfactory checking of apparatus parts which are worn out
- repairs performed in an inexpert way
- catastrophes by external influence and Acts of God.

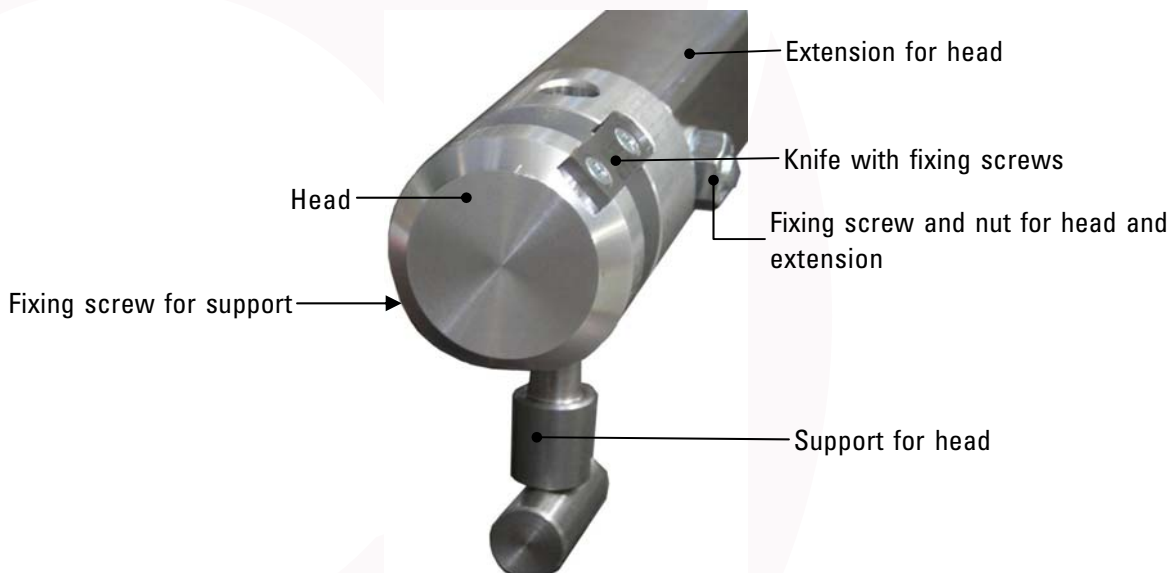
## 3. Operating and indicating elements

### 3.1. Indicating elements



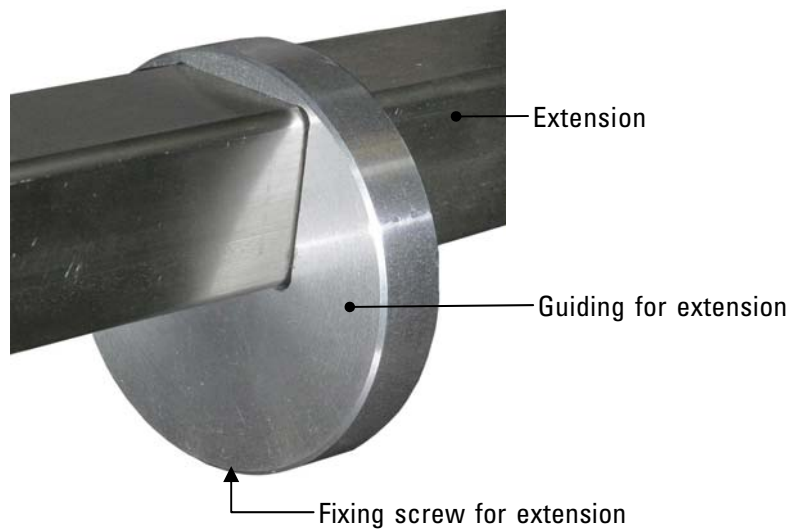
No.	Denomination
1	Extension for handle (1 m)
2	Cutting head and extension for cutting head
3	Ring- / fork wrench 13 for handle
4	Handle
5	Hexagon-head screw M 8 x 35 and hexagon nut M 8
6	Support for cutting head 1 + 2 (50-70, 70-90)
7	Guide 1-4 for extension (50-60, 60-70, 70-80, 80-90)
8	Allan key 3 for guide (extension) Allan key 4 for support (cutting head)

### 3.2. Elements at the head





### 3.3. Guide for extension



### 3.4. Operating



- Mount the support on the cutting head opposite to the knife and corresponding to the required pipe inner diameter.
- Mount the guide on the extension. The large surface must comply with the support for the head.
- If further extensions are required, they always have to be screwed in alignment with the cutting head extension.
- Mount the handle at the end of each extension.
- Insert the cutting head into the pipe holding the handle vertically.
- Turn the cutting head with handle **clockwise** by 360° and cut off the bead.
- Remove the internal bead remover together with the cut-off bead.

## 4. Maintenance and storing

- Replace damaged parts immediately.
- Only use original WIDOS spare parts when repairing.



The prescribed maintenance and inspection work is to be carried out within the period stipulated. Inspection work after 1 year is recommended.

The work is to be carried out at WIDOS GmbH or at an authorized dealer.

- Check the knife on its sharpness, exchange it if necessary.
- Keep the apparatus dry.
- Protect it from heavy vibrations and shocks.
- The apparatus is to be handled carefully.

### 4.1. Disposal



At the end of the life time, the machine has to be disposed of properly, non-polluting and in accordance with the national laws of waste disposal.

## 5. Spare part list



You can access our website and select our spare parts lists via the qr code shown here. Select "Internal bead remover 80"

## 6. Declaration of conformity

Issuing the declaration of conformity with regard to complying with the basic requirements and assembling the technical documentation is in the sole responsibility of:	
Manufacturer / Installation company:	WIDOS Wilhelm Dommer Söhne GmbH
Address:	WIDOS GmbH Einsteinstr. 5 D-71254 Ditzingen

Subject of the present declaration is the following device:	
Product name:	<b>Debeader</b>
Model name:	<b>Inside Debeader 80, unheated</b>

For the stated device we herewith declare that it complies with the <b>basic requirements</b> stipulated in the following designated harmonizing regulations:
<b>in the sense of the EC guideline EC-Machinery Directive 2006/42/EC</b>

Statement of the relevant <b>harmonizing standards</b> referred to, or indication of the specifications that the conformity is declared for:	
Standard	Title
DIN EN ISO 12100	Safety of machines, basic concepts, general layout guidelines

Entitled to compile the technical documentation:	
Name:	WIDOS Wilhelm Dommer Söhne GmbH
Address:	Einsteinstr. 5 D-71254 Ditzingen

Signed on behalf of the company:	
Name, first name:	Dommer, Martin
Function:	Technical director

Heimerdingen, 29.05.2019

Place / Date



Legally binding signature

This declaration is to certify the compliance with the mentioned harmonizing regulations, however does not include any assurance of properties.