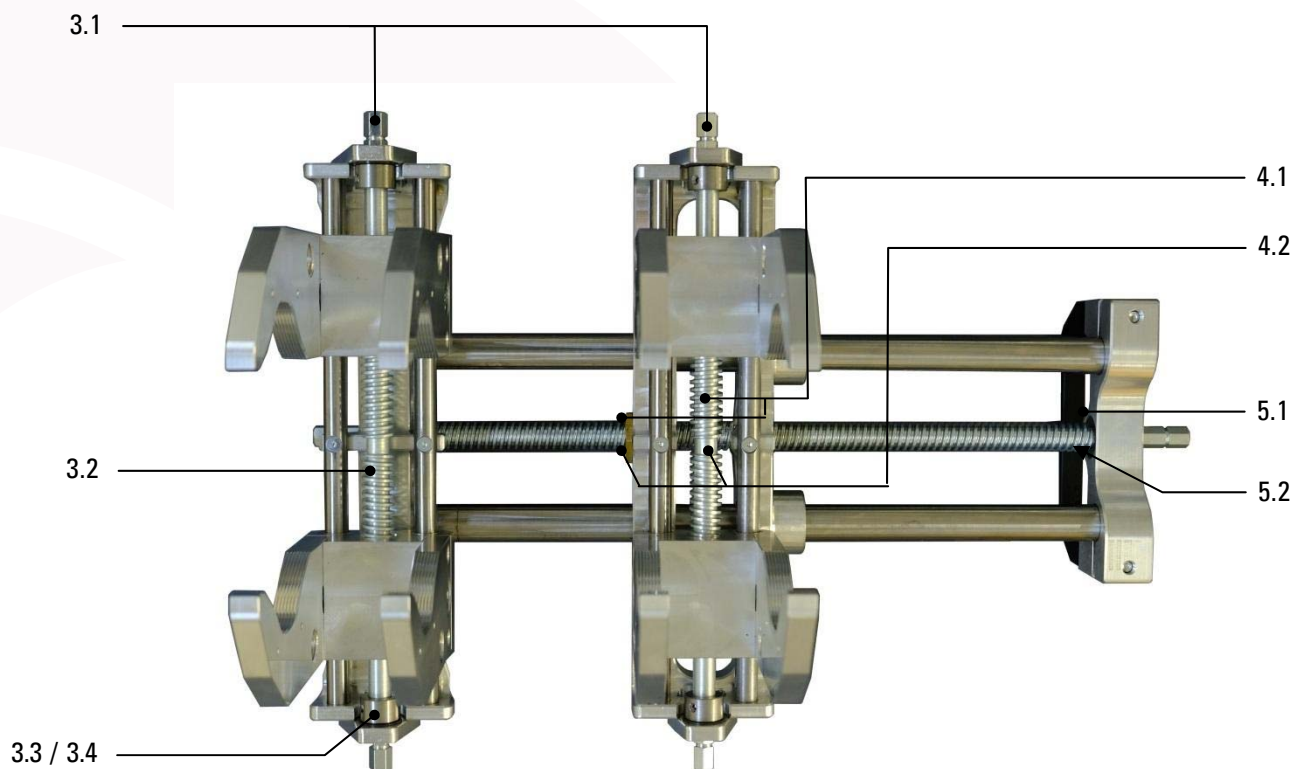
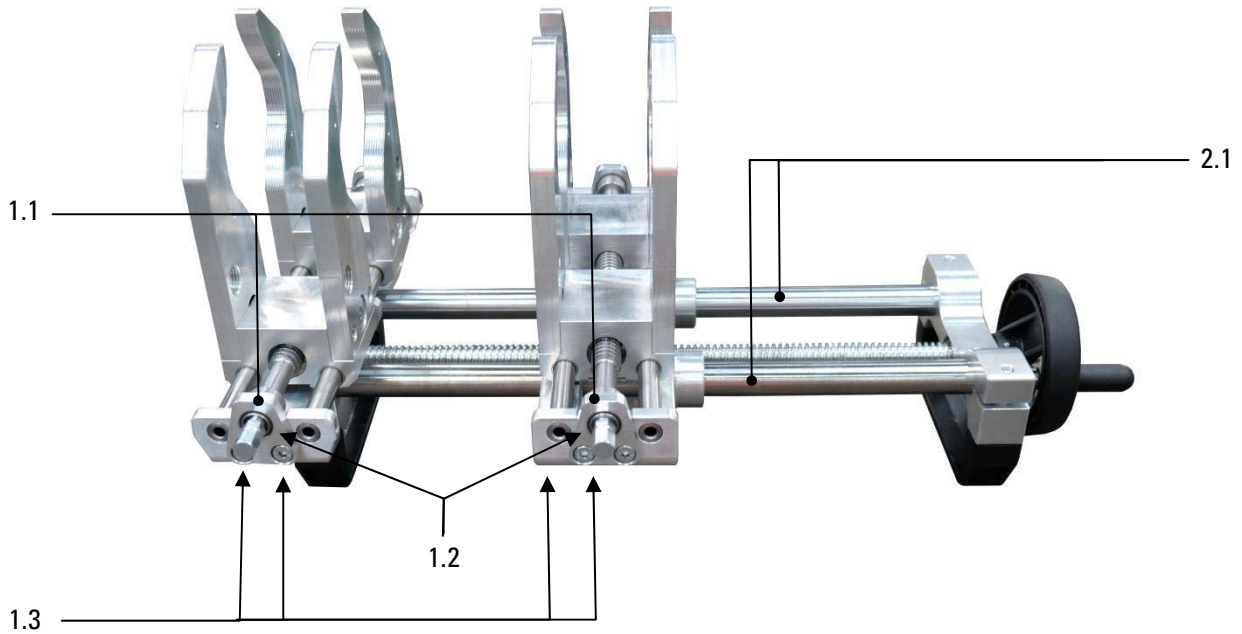
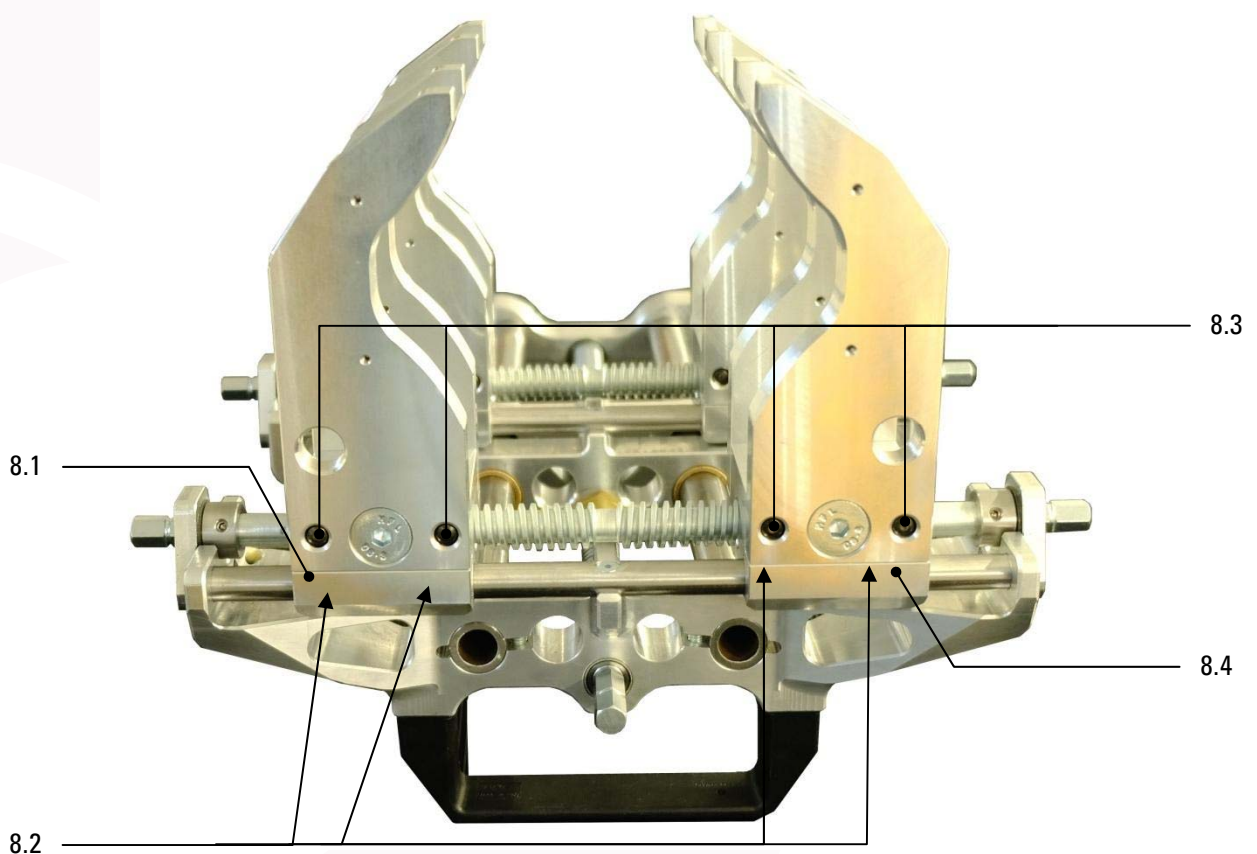
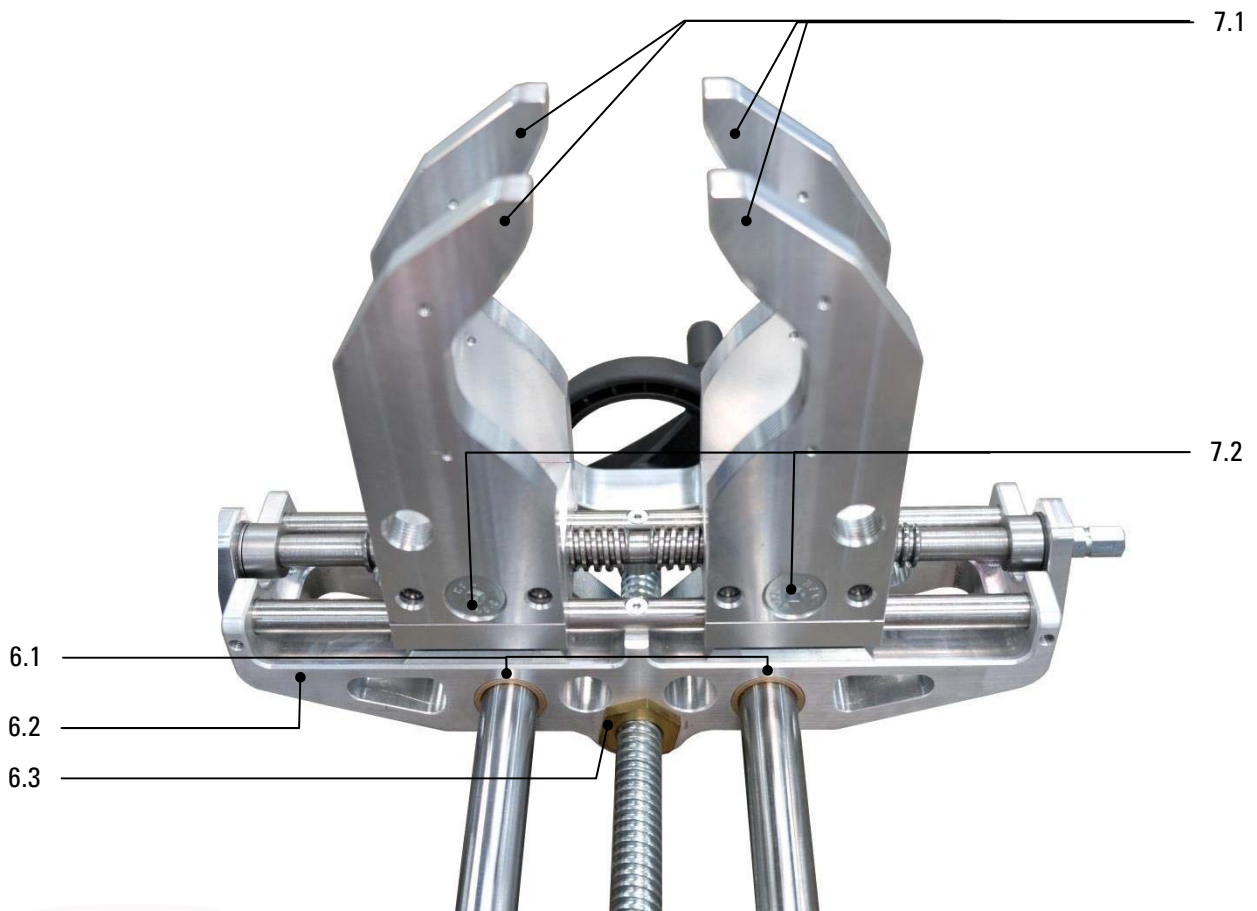
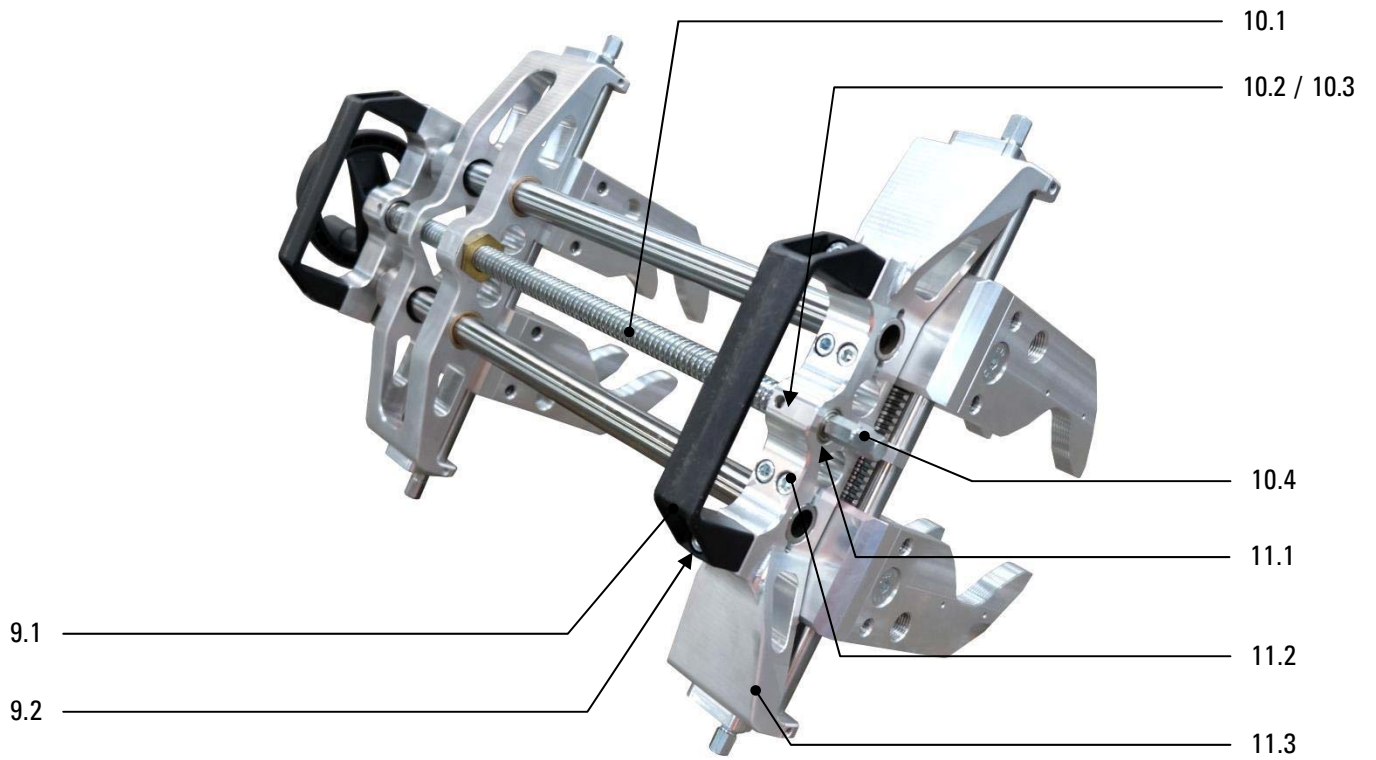


# 1. Spare parts list

## 1.1. Basic machine



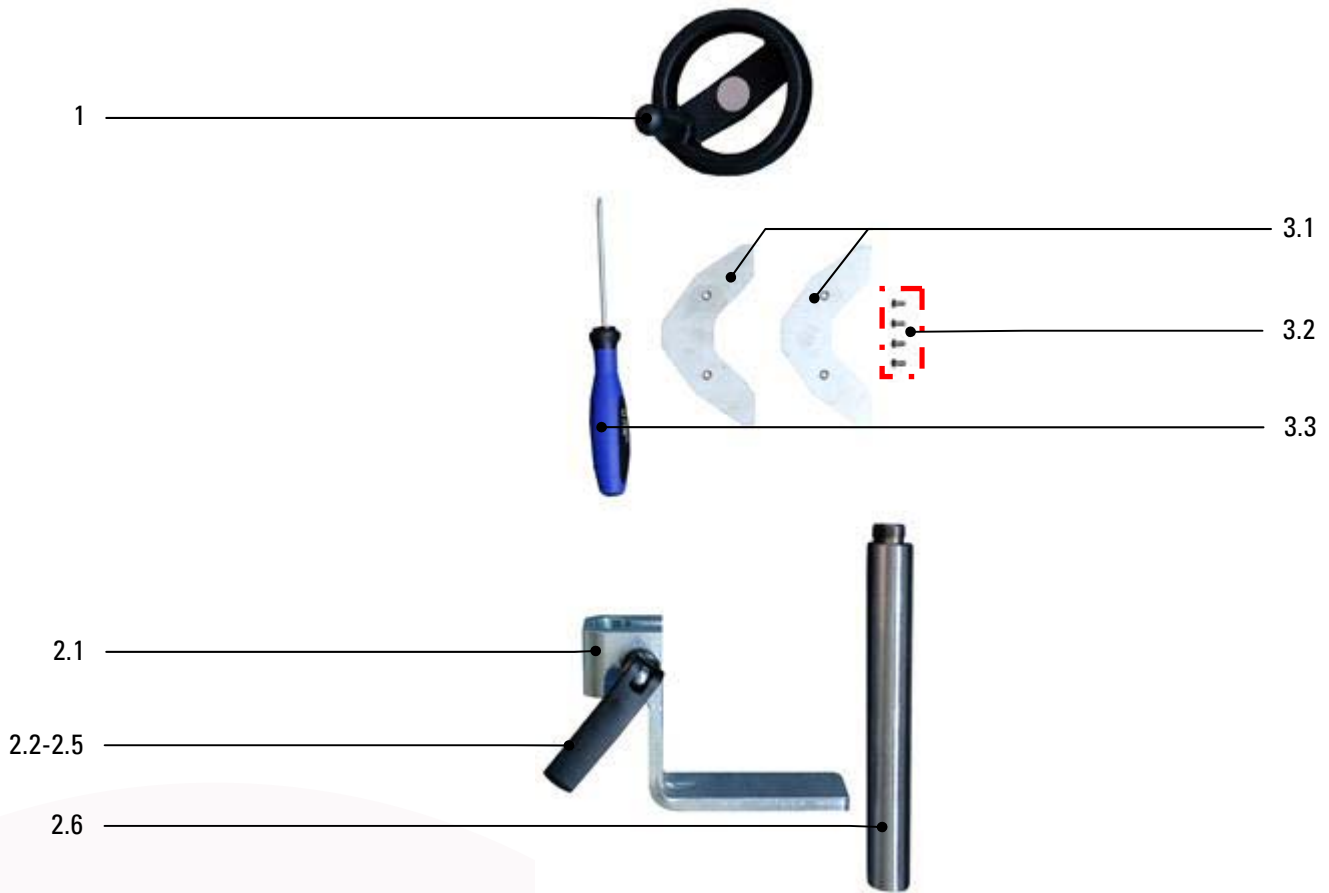




## WIDOS Traction tool „JIG“

<i>Pos.</i>	<i>Name</i>	<i>Piece</i>	<i>Order no.</i>
<b>1</b>	<b>Set "holding plates"</b>	<b>1</b>	<b>6180C501011KP</b>
(1.1)	Holding plate for clamping device	2	
(1.2)	Flange bushing GFM-1416	4	
(1.3)	Pan-head screw M 6x10 DIN 7984	4	
<b>2</b>	<b>Set "guiding shafts for motion"</b>	<b>1</b>	<b>6181C500030KP</b>
(2.1)	Hollow shaft 20/12x414 H7	2	
<b>3</b>	<b>Set " trapezoid threaded spindle for clamping tool"</b>	<b>1</b>	<b>6180C501005KP</b>
(3.1)	Screw, short version	2	
(3.2)	Trapezoid threaded spindle	1	
(3.3)	Bearing bushing Ø20x20	2	
(3.4)	Threaded pin M 5x6 DIN 913	2	
<b>4</b>	<b>Set "guiding shafts for clamping tools"</b>	<b>1</b>	<b>6180C501012KP</b>
(4.1)	Guiding shaft for clamping jaws	2	
(4.2)	Flat-head screw M 4x16 DIN 7991	2	
<b>5</b>	<b>Set "terminal plate, rear side"</b>	<b>1</b>	<b>6180C500014KP</b>
(5.1)	Terminal plate, rear side	1	
(5.2)	Permaglide bushing PAP 1510 P10	1	
<b>6</b>	<b>Set "flexible carriage"</b>	<b>1</b>	<b>6180C500013KP</b>
(6.1)	Sinter bronze bushing 202520	4	
(6.2)	Carriage, flexible side	1	
(6.3)	Trapezoid threaded spindle TR16x8 L	1	
<b>7</b>	<b>Set "clamping tool"</b>	<b>1</b>	<b>6180C501003KP</b>
(7.1)	Clamping tool 63-170 mm	4	
(7.2)	Flat-head screw M 10x25 DIN 7991	4	
<b>8</b>	<b>Set "guide block with retainer pins for clamping tool, right and left side"</b>	<b>1</b>	<b>6180C501002KP</b>
(8.1)	Guide block, right-hand thread	1	
(8.2)	Permaglide bushing PAP 1210 P10	8	
(8.3)	Straight pin 8x28 DIN 6325	8	
(8.4)	Guide block, left-hand thread	1	
<b>9</b>	<b>Set "bow-type handles"</b>	<b>1</b>	<b>BG528132KP</b>
(9.1)	Bow-type handle	2	
(9.2)	Pan-head screw M 8x25 DIN 912	4	
<b>10</b>	<b>Set " trapezoid threaded spindel for motion"</b>	<b>1</b>	<b>6180C500035KP</b>
(10.1)	Trapezoid threaded spindle Tr16x8 P4 L	1	
(10.2)	Bearing bushing Ø20x25	2	
(10.3)	Threaded pin M 5x6 DIN 913	2	
(10.4)	Screw, long version		
<b>11</b>	<b>Set "terminal plate, front side"</b>	<b>1</b>	<b>6180C500008KP</b>
(11.1)	Permaglide bushing PAP 1510 P10	1	
(11.2)	Pan-head screw M 6x20 DIN 7984	4	
(11.3)	Terminal plate, front side	1	

### 1.2. Optional accessories



## WIDOS optional accessories Traction tool „JIG“

<i>Pos.</i>	<i>Name</i>	<i>Piece</i>	<i>Order no.</i>
<b>1</b>	<b>Handwheel</b>	<b>1</b>	<b>3757102</b>
<b>2</b>	<b>Set "support for fitting"</b>	<b>1</b>	<b>6187C427KP</b>
(2.1)	Limit stop bracket	1	
(2.2)	Clamp lever excenter	1	
(2.3)	Counter nut M 8 DIN 985	1	
(2.4)	Washer M 8 DIN 125	1	
(2.5)	Grub screw M 8x60 DIN 913	1	
(2.6)	Guide rod for limit stop	1	
<b>3</b>	<b>Set "limit stop plate for fitting"</b>	<b>1</b>	<b>6187C4252KP</b>
(3.1)	Clamping tool limit stop	2	
(3.2)	Flat-head screw Torx T10 M 3x8 DIN 965	4	
(3.3)	Torx screwdriver T10	1	